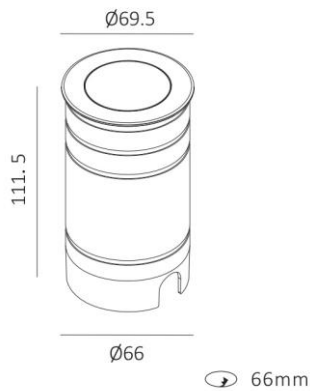
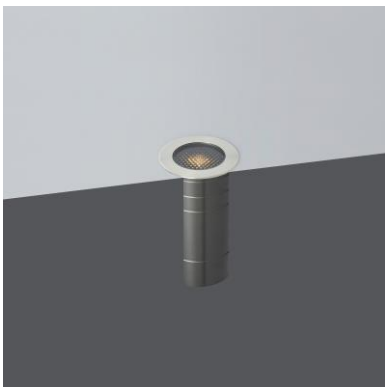


### RZGU10IG

Inground Light Stainless Steel 316 GU10 Max.35W 220VAC D70 IP67 With Recessed Box



More Option:



#### Description

Surface housing: corrosion-resistant Stainless steel 316 + tempered glass, Optimised surface for reduced accumulation of dirt. Control gear. Connection cable

LED module: Led GU10. Luminaire head with non-reflective safety glass: corrosion-resistant.

Protection mode IP67: dust-proof and water jet-proof.



#### Technical data

Light source	GU10 Max.35W
System Wattage	-
Luminous flux	-
Luminous efficiency	-
Colour Temperature	-
Colour Rendering Index	-
Colour Deviation	-
Beam Angle	-
Cut-Off Angle	-
Tilt Angle	-
Anti-glare Rating	-
Service Lifetime	-
Ingress Protection	IP67
Operation Voltage	220-240VAC, 50Hz
Operation Temperature	-20°C ~ 45°C
Material	Stainless Steel 316 / Aluminum
Finishing	SS316, Matt White, Matt Black, Brushed Brass
Lighting control (option)	Dali, 0-10V, Triac

#### Accessories

Recessed box

Honeycomb



#### Notes