

RZ75SM

Square Recessed Adjustable Downlight With Anti-Glare Reflector SQ85

RZ07MM

Led Module 7W 595lm CRI90 50.000h IP44

RZ09MM

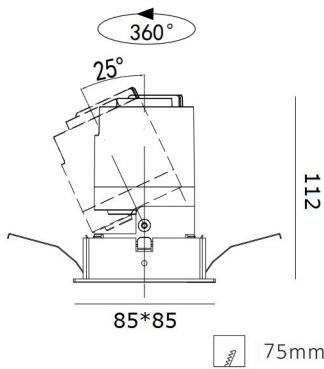
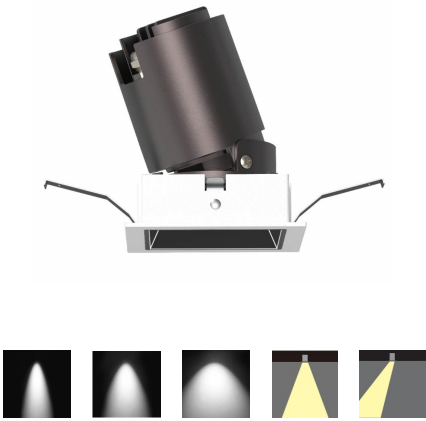
Led Module 9W 765lm CRI90 50.000h IP44

RZ12MM

Led Module 12W 1020lm CRI90 50.000h IP44

RZ15MM

Led Module 15W 1275lm CRI90 50.000h IP44



Description

Housing: Cast aluminium, Adjustable, designed as heat sink, with connection cable. 0°-25° tilt. Fixing ring: Matt White, Matt Black, Customized.

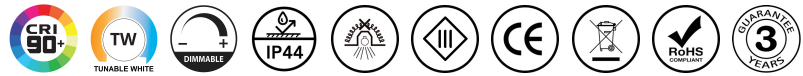
Mounting ring: white. Expanding spring fixing for ceiling thicknesses of 5-25mm. Includes control gear with Led driver separate. 2-pole terminal block.

LED module: High-power LEDs on metal-core PCB. Collimating lens made of optical Polymethyl. Tender and soft light to perfectly present the object without black spot and dark area.

Dimming driver can be optionally sold separately: Dali, 0-10V, Triac, Wireless.

Anti-glare cone with covered mounting detail: Polymethyl, Chrome, Matt White, Matt Black, Customized. High quality optical diffuser reduce LED dazzle light. Optical cut-off 38°. Deep anti-glare design, protect the eye.

Protection Class III.



Technical data

Light source	MODULE LED COB
System Wattage	7W 9W 12W 15W
Luminous flux	595lm 765lm 1020lm 1275lm
Luminous efficiency	85lm/w or option
Colour Temperature	2700K, 3000K, 4000K, 6000K, [2700~6000K]
Colour Rendering Index	CRI>90
Colour Deviation	SDCM<3
Beam Angle	10°, 15°, 24°, 36°, 60°
Cut-Off Angle	38°
Rotation Angle	25° Tilt 360° Swivel
Anti-glare Rating	UGR<16
Service Lifetime	50.000 Hrs L80 B20 Ta25
Ingress Protection	IP44
Operation Voltage	220-240VAC, 50Hz
Operation Temperature	-20°C ~ 45°C
Frame	Aluminum
Finishing	Matt White, Matt Black
Lighting control (option)	Dali, 0-10V, Triac, Wireless, Tunable White

Accessories

Honeycomb can be optionally sold separately

Notes

-

