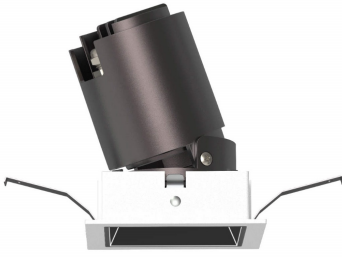


RZ55SS

Square Recessed Adjustable Downlight With Anti-Glare Reflector SQ65



RZ05MS

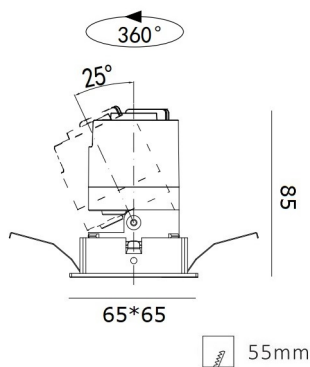
Led Module 5W 425lm CRI90 50.000h IP54

RZ07MS

Led Module 7W 595lm CRI90 50.000h IP54

RZ09MS

Led Module 9W 765lm CRI90 50.000h IP54



Description

Housing: Cast aluminium, Adjustable, designed as heat sink, with connection cable. 0°-25° tilt. Fixing ring: Matt White, Matt Black, Customized.

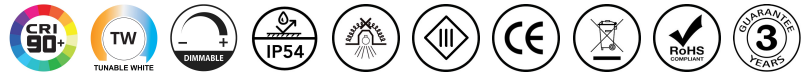
Mounting ring: white. Expanding spring fixing for ceiling thicknesses of 5-25mm. Includes control gear with Led driver separate. 2-pole terminal block.

LED module: High-power LEDs on metal-core PCB. Collimating lens made of optical Polymethyl. Tender and soft light to perfectly present the object without black spot and dark area.

Dimming driver can be optionally sold separately: Dali, 0-10V, Triac, Wireless.

Anti-glare cone with covered mounting detail: Polymethyl, Chrome, Matt White, Matt Black, Customized. High quality optical diffuser reduce LED dazzle light. Optical cut-off 38°. Deep anti-glare design, protect the eye.

Protection Class III.



Technical data

Light source	MODULE LED COB		
System Wattage	5W	7W	9W
Luminous flux	425lm	595lm	765lm
Luminous efficiency	85lm/w or option		
Colour Temperature	2700K, 3000K, 4000K, 6000K, [2700~6000K]		
Colour Rendering Index	CRI>90		
Colour Deviation	SDCM<3		
Beam Angle	15°, 24°, 36°, 60°		
Cut-Off Angle	38°		
Rotation Angle	25° Tilt 360° Swivel		
Anti-glare Rating	UGR<16		
Service Lifetime	50.000 Hrs L80 B20 Ta25		
Ingress Protection	IP54		
Operation Voltage	220-240VAC, 50Hz		
Operation Temperature	-20°C ~ 45°C		
Frame	Aluminum		
Finishing	Matt White, Matt Black		
Lighting control (option)	Dali, 0-10V, Triac, Wireless, Tunable White		

Accessories

Honeycomb can be optionally sold separately

Notes

-

