

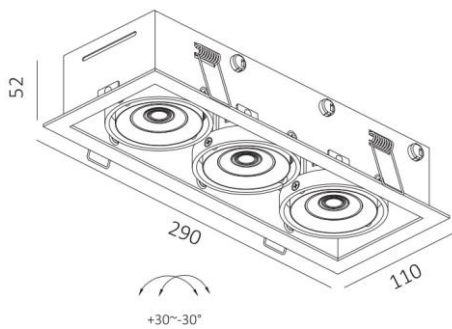
### RZ3028CTS

Cube Slim Triple Square Downlight Led 3\*10W 2250lm CRI90 D290x110 IP44



spot 24°			medium 36°		
h(m)	E(lx)	ø(m)	h(m)	E(lx)	ø(m)
1	7878	ø0.46	1	4358	ø0.64
2	1969	ø0.91	2	1089	ø1.29
3	875.3	ø1.36	3	484.2	ø1.93
4	492.4	ø1.82	4	272.4	ø2.58
5	315.1	ø2.27	5	174.3	ø3.22

wide 60°		
h(m)	E(lx)	ø(m)
1	2847	ø0.95
2	711.7	ø1.91
3	316.3	ø2.86
4	177.9	ø3.81
5	113.9	ø4.77



280\*100mm  
5-25mm

#### Description

Housing: cast aluminium, Slim body design, with connection cable. 0°-30° tilt, Baffle color: Black, White, Custom.

Mounting ring: white. Expanding clamp fixing for ceiling thicknesses of 5-25mm. Includes control gear with Led driver separate. 2-pole terminal block.

LED module: high-power LEDs on metal-core PCB. Collimating lens made of optical Polymethyl. Dimming driver can be optionally sold separately: Dali, 0-10V, Triac, Wireless.

Protection Class III.



#### Technical data

Light source	LED COB
System Wattage	3*10W - 250mA CC
Luminous flux	2250lm
Luminous efficiency	80lm/w
Colour Temperature	2700K, 3000K, 4000K
Colour Rendering Index	CRI90
Colour Deviation	SDCM<3
Beam Angle	24°, 36°, 60°
Cut-Off Angle	-
Tilt Angle	-
Anti-glare Rating	-
Service Lifetime	50.000 Hrs L70 B20 Ta25
Ingress Protection	IP44
Operation Voltage	220-240VAC, 50Hz
Operation Temperature	-20°C ~ 45°C
Frame	Aluminum
Finishing	Matt White, Matt Black
Lighting control (option)	Dali, 0-10V, Triac, Wireless

#### Accessories

-

#### Notes