

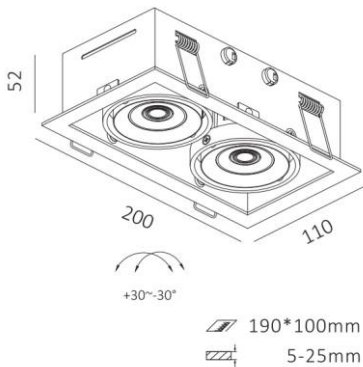
RZ2019CDS

Cube Silm Double Square Downlight Led 2*10W 1500lm CRI90 D200x110 IP44



spot 24°			medium 36°		
h(m)	E(lx)	ø(m)	h(m)	E(lx)	ø(m)
1	5266	ø0.45	1	2906	ø0.63
2	1317	ø0.89	2	726.6	ø1.28
3	585.1	ø1.35	3	322.9	ø1.93
4	329.2	ø1.79	4	181.6	ø2.57
5	210.7	ø2.24	5	116.3	ø3.22

wide 60°		
h(m)	E(lx)	ø(m)
1	1892	ø0.95
2	427.9	ø1.90
3	210.2	ø2.86
4	118.2	ø3.81
5	75.6	ø4.76



Description

Housing: cast aluminium, Slim body design, with connection cable. 0°-30° tilt, Baffle color: Black, White, Custom.

Mounting ring: white. Expanding clamp fixing for ceiling thicknesses of 5-25mm. Includes control gear with Led driver separate. 2-pole terminal block.

LED module: high-power LEDs on metal-core PCB. Collimating lens made of optical Polymethyl. Dimming driver can be optionally sold separately: Dali, 0-10V, Triac, Wireless.

Protection Class III.



Technical data

Light source	LED COB
System Wattage	2*10W - 250mA CC
Luminous flux	1500lm
Luminous efficiency	80lm/w
Colour Temperature	2700K, 3000K, 4000K
Colour Rendering Index	CRI90
Colour Deviation	SDCM<3
Beam Angle	24°, 36°, 60°
Cut-Off Angle	-
Tilt Angle	-
Anti-glare Rating	-
Service Lifetime	50.000 Hrs L70 B20 Ta25
Ingress Protection	IP44
Operation Voltage	220-240VAC, 50Hz
Operation Temperature	-20°C ~ 45°C
Frame	Aluminum
Finishing	Matt White, Matt Black
Lighting control (option)	Dali, 0-10V, Triac, Wireless

Accessories

-

Notes

