

### RZ200DM

Double Square Recessed Adjustable Downlight With Anti-Glare Reflector L219\*W113mm

### RZ07MM

Led Module 2\*7W 1190lm CRI90 50.000h IP44

### RZ09MM

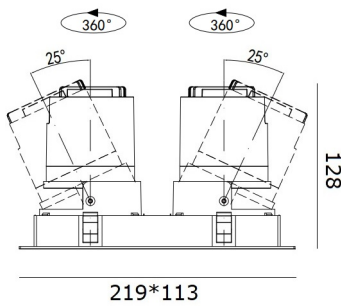
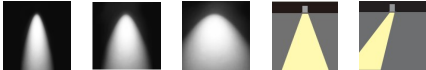
Led Module 2\*9W 1530lm CRI90 50.000h IP44

### RZ12MM

Led Module 2\*12W 2040lm CRI90 50.000h IP44

### RZ15MM

Led Module 2\*15W 2550lm CRI90 50.000h IP44



### Description

Housing: Cast aluminium, Adjustable, designed as heat sink, with connection cable. 0°-25° tilt. Fixing ring: Matt White, Matt Black, Customized.

Mounting ring: white. Expanding spring fixing for ceiling thicknesses of 5-25mm. Includes control gear with Led driver separate. 2-pole terminal block.

LED module: High-power LEDs on metal-core PCB. Collimating lens made of optical Polymethyl. Tender and soft light to perfectly present the object without black spot and dark area.

Dimming driver can be optionally sold separately: Dali, 0-10V, Triac, Wireless.

Anti-glare cone with covered mounting detail: Polymethyl, Chrome, Matt White, Matt Black, Customized. High quality optical diffuser reduce LED dazzle light. Optical cut-off 38°. Deep anti-glare design, protect the eye.

Protection Class III.



### Technical data

Light source	MODULE LED COB
System Wattage	2*7W   2*9W   2*12W   2*15W
Luminous flux	1190lm   1530lm   2040lm   2550lm
Luminous efficiency	85lm/w or option
Colour Temperature	2700K, 3000K, 4000K, 6000K, [2700~6000K]
Colour Rendering Index	CRI>90
Colour Deviation	SDCM<3
Beam Angle	10°, 15°, 24°, 36°, 60°
Cut-Off Angle	38°
Rotation Angle	25° Tilt   360° Swivel
Anti-glare Rating	UGR<16
Service Lifetime	50.000 Hrs L80 B20 Ta25
Ingress Protection	IP44
Operation Voltage	220-240VAC, 50Hz
Operation Temperature	-20°C ~ 45°C
Frame	Aluminum
Finishing	Matt White, Matt Black
Lighting control (option)	Dali, 0-10V, Triac, Wireless, Tunable White

### Accessories

Honeycomb can be optionally sold separately

### Notes

-

