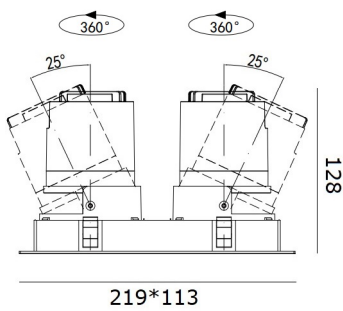


RZ200DL

Double Square Recessed Adjustable Downlight With Anti-Glare Reflector L219*W113mm



RZ18ML

Led Module 2*18W 3060lm CRI90 50.000h IP44

RZ20ML

Led Module 2*20W 3400lm CRI90 50.000h IP44

Description

Housing: Cast aluminium, Adjustable, designed as heat sink, with connection cable. 0°-25° tilt. Fixing ring: Matt White, Matt Black, Customized.

Mounting ring: white. Expanding spring fixing for ceiling thicknesses of 5-25mm. Includes control gear with Led driver separate. 2-pole terminal block.

LED module: High-power LEDs on metal-core PCB. Collimating lens made of optical Polymethyl. Tender and soft light to perfectly present the object without black spot and dark area.

Dimming driver can be optionally sold separately: Dali, 0-10V, Triac, Wireless.

Anti-glare cone with covered mounting detail: Polymethyl, Chrome, Matt White, Matt Black, Customized. High quality optical diffuser reduce LED dazzle light. Optical cut-off 38°. Deep anti-glare design, protect the eye.

Protection Class III.



Technical data

Light source	MODULE LED COB	
System Wattage	2*18W	2*20W
Luminous flux	3060lm	3400lm
Luminous efficiency	85lm/w or option	
Colour Temperature	2700K, 3000K, 4000K, 6000K, [2700~6000K]	
Colour Rendering Index	CRI>90	
Colour Deviation	SDCM<3	
Beam Angle	15°, 24°, 36°, 60°	
Cut-Off Angle	38°	
Rotation Angle	25° Tilt 360° Swivel	
Anti-glare Rating	UGR<16	
Service Lifetime	50.000 Hrs L80 B20 Ta25	
Ingress Protection	IP44	
Operation Voltage	220-240VAC, 50Hz	
Operation Temperature	-20°C ~ 45°C	
Frame	Aluminum	
Finishing	Matt White, Matt Black	
Lighting control (option)	Dali, 0-10V, Triac, Wireless, Tunable White	

Accessories

Honeycomb can be optionally sold separately

Notes

-

