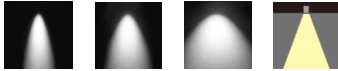


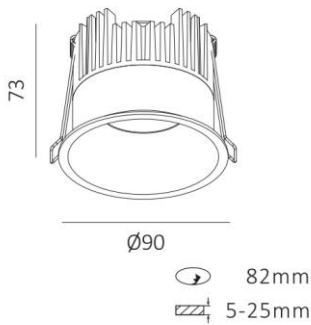
RZ1582DF

Deep Fixed Downlight Led 15W 1350lm CRI90 D90 IP54



medium 24°			medium 36°		
h(m)	E(lx)	ø(m)	h(m)	E(lx)	ø(m)
1	1807	ø0.50	1	1468	ø0.64
2	451.7	ø1.00	2	367.1	ø1.27
3	200.8	ø1.51	3	163.2	ø1.91
4	112.9	ø2.01	4	91.8	ø2.55
5	72.27	ø2.51	5	58.7	ø3.19

wide 60°		
h(m)	E(lx)	ø(m)
1	1353	ø1.06
2	338.2	ø2.13
3	150.3	ø3.20
4	84.55	ø4.27
5	54.11	ø5.33



Description

Housing: cast aluminium, designed as heat sink, with connection cable. Mounting ring: white. Expanding clamp fixing for ceiling thicknesses of 5-25mm. Includes control gear with Led driver separate. 2-pole terminal block. LED module: high-power LEDs on metal-core PCB. Collimating lens made of optical Polymethyl. Dimming driver can be optionally sold separately: Dali, 0-10V, Triac, Wireless.

Anti-glare cone with covered mounting detail: polymer, white or Black. Optical cut-off 30°.

The luminaire is protected on the room side against splashing water.

Protection Class III.



Technical data

Light source	LED COB
System Wattage	15W - 350mA CC
Luminous flux	1350lm
Luminous efficiency	90lm/w
Colour Temperature	2700K, 3000K, 4000K
Colour Rendering Index	CRI90
Colour Deviation	SDCM<3
Beam Angle	24°, 36°, 60°
Cut-Off Angle	30°
Tilt Angle	-
Anti-glare Rating	UGR<19
Service Lifetime	50.000 Hrs L70 B20 Ta25
Ingress Protection	IP54
Operation Voltage	220-240VAC, 50Hz
Operation Temperature	-20°C ~ 45°C
Frame	Aluminum
Finishing	Matt White, Matt Black
Lighting control (option)	Dali, 0-10V, Triac, Wireless

Accessories

-

Notes