

RZ02MRD

Multiple Recessed Fixed Downlight With Anti-Glare Reflector Led 2W 180lm CRI90 SQ45 50.000h White IP44

RZ04MRD

Multiple Recessed Fixed Downlight With Anti-Glare Reflector Led 2*2W 360lm CRI90 L75*W45 50.000h White IP44

RZ10MRD

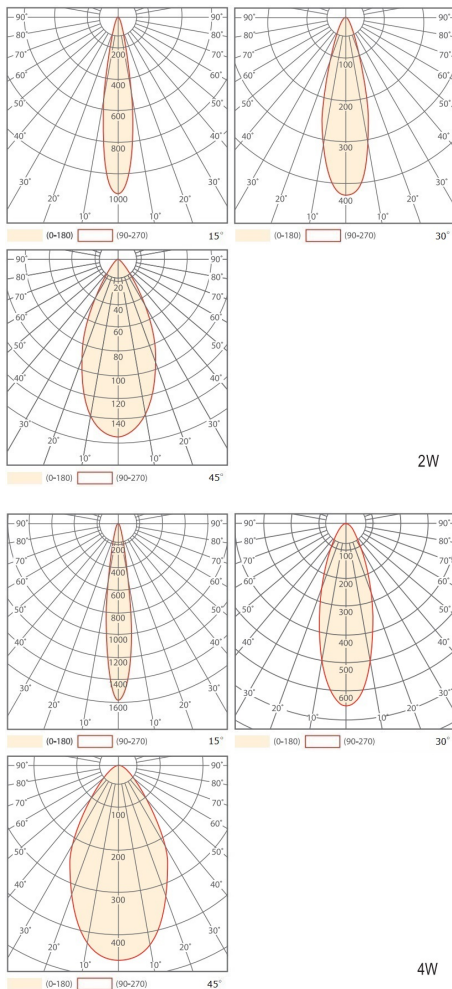
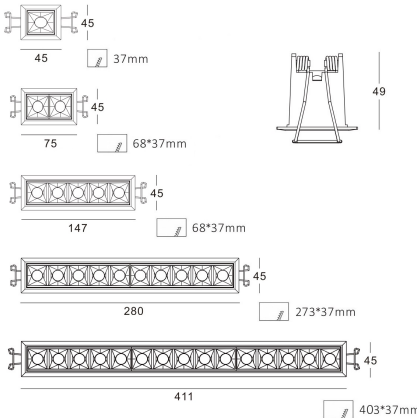
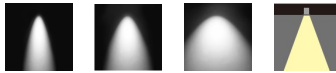
Multiple Recessed Fixed Downlight With Anti-Glare Reflector Led 5*2W 900lm CRI90 L147*W45 50.000h White IP44

RZ20MRD

Multiple Recessed Fixed Downlight With Anti-Glare Reflector Led 10*2W 1800lm CRI90 L280*W45 50.000h White IP44

RZ30MRD

Multiple Recessed Fixed Downlight With Anti-Glare Reflector Led 15*2W 2550lm CRI90 L411*W45 50.000h White IP44



Description

Housing: cast aluminium, Mini Recessed Fixed Downlight are a range of compact and functional designed spotlights, with connection cable.

Mounting ring: white. Expanding spring fixing for ceiling thicknesses of 5-25mm. Includes control gear with Led driver separate. 2-pole terminal block.

LED module: High-power LEDs on metal-core PCB. Collimating lens made of optical Polymethyl. Tender and soft light to perfectly present the object without black spot and dark area.

Dimming driver can be optionally sold separately: Dali, 0-10V, Triac, Wireless.

Darklight reflector: Polymethyl, Chrome, Matt White, Matt Black, Customized. High quality optical diffuser reduce LED dazzle light. Cut-off angle 30° with Anti-glare Rating UGR<19. Deep anti-glare design, protect the eye.

Protection Class III.



Technical data

Light source	LED COB
System Wattage	2W 2*2W 5*2W 10*2W 15*2W
Luminous flux	180lm 360lm 900lm 1800lm 2550lm
Luminous efficiency	90lm/w or option
Colour Temperature	2700K, 3000K, 4000K, 6000K
Colour Rendering Index	CRI>90
Colour Deviation	SDCM<3
Beam Angle	15°, 30°, 45°
Cut-Off Angle	30°
Tilt Angle	-
Anti-glare Rating	UGR<19
Service Lifetime	50.000 Hrs L70 B20 Ta25
Ingress Protection	IP44
Operation Voltage	220-240VAC, 50Hz
Operation Temperature	-20°C ~ 45°C
Frame	Aluminum
Finishing	Matt White, Matt Black
Lighting control (option)	Dali, 0-10V, Triac, Wireless

Accessories

-

Notes

-