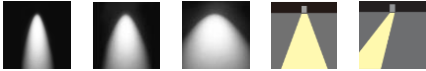


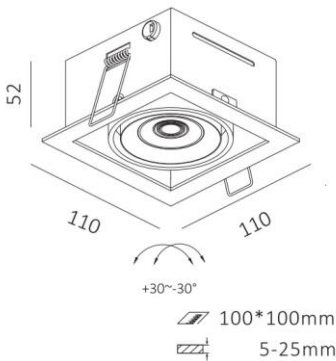
RZ1010CSS

Cube Slim Single Square Downlight Led 10W 750lm CRI90 D110x110 IP44



spot 24°			medium 36°		
h(m)	E(lx)	ø(m)	h(m)	E(lx)	ø(m)
1	2554	ø0.45	1	1468	ø0.64
2	638.6	ø0.91	2	367.1	ø1.27
3	283.8	ø1.36	3	163.2	ø1.91
4	159.6	ø1.82	4	91.8	ø2.55
5	102.2	ø2.27	5	58.7	ø3.19

wide 60°		
h(m)	E(lx)	ø(m)
1	972.4	ø0.96
2	243.1	ø1.92
3	108.0	ø2.88
4	60.78	ø3.84
5	38.90	ø4.80



Description

Housing: cast aluminium, Slim body design, with connection cable. 0°-30° tilt, Baffle color: Black, White, Custom.

Mounting ring: white. Expanding clamp fixing for ceiling thicknesses of 5-25mm. Includes control gear with Led driver separate. 2-pole terminal block.

LED module: high-power LEDs on metal-core PCB. Collimating lens made of optical Polymethyl. Dimming driver can be optionally sold separately: Dali, 0-10V, Triac, Wireless.

Protection Class III.



Technical data

Light source	LED COB
System Wattage	10W - 250mA CC
Luminous flux	750lm
Luminous efficiency	80lm/w
Colour Temperature	2700K, 3000K, 4000K
Colour Rendering Index	CRI90
Colour Deviation	SDCM<3
Beam Angle	24°, 36°, 60°
Cut-Off Angle	-
Tilt Angle	-
Anti-glare Rating	-
Service Lifetime	50.000 Hrs L70 B20 Ta25
Ingress Protection	IP44
Operation Voltage	220-240VAC, 50Hz
Operation Temperature	-20°C ~ 45°C
Frame	Aluminum
Finishing	Matt White, Matt Black
Lighting control (option)	Dali, 0-10V, Triac, Wireless

Accessories

-

Notes