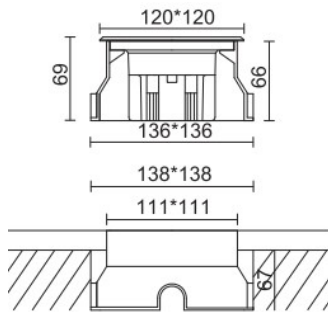


### RZ0767IGS

Inground Light Stainless Steel 316 Cover, Anti-Corrosion, Transparent Toughened Glass Led 7W 490lm CRI80 24VDC 50.000h IP67 With Recessed Box



More Option:



### Description

Recessed luminaire that can be installed in concrete floors or in the ground. It is designed to use LED lamps, for lighting, fixed optic.

Housing: Die-casting Aluminum with Stainless Steel 316 Cover, Anti-Corrosion, No-Rinse surface treatment. Surface with electrostatic plastic coating and Optimised for reduced accumulation of dirt, with a high level of weather resistance. Stainless steel fasteners in grade 316, Durable silicone rubber gasket.

Luminaire head with transparent toughened non-reflective glass, resist the impact and friction.

Control gear: Longitudinally watertight cable, 1 cable entries. [3] 2-pole terminal block. Installation with separate connection sleeve.

LED module: High-power LEDs on metal-core PCB. Collimating lens made of optical Polymethyl. Tender and soft light to perfectly present the object without black spot and dark area.

Dimming driver can be optionally sold separately: Dali, 0-10V, Triac, Wireless.

Protection mode IP67: dust-proof and accidental immersion up to 1m deep.

Suitable for walk-over with a maximum static load resistance of 2000kg, 15km/h.



### Technical data

Light source	LED COB	
System Wattage	7W	5W
Luminous flux	490lm	150lm
Number of led lamp	1 Led	
Luminous efficiency	80lm/w or option	
Colour Temperature	2700K, 3000K, 4000K, 6000K	
Colour Rendering Index	CRI>80	
Colour Deviation	SDCM<3	
Beam Angle	15°, 24°, 36°, 50°, 35°*70°	Diffused
Rotation Angle	-	
Anti-glare Rating	-	
Service Lifetime	50.000 Hrs L80 B20 Ta35	
Ingress Protection	IP67 IK10	
Operation Voltage	24VDC	
Operation Temperature	-30°C ~ 50°C	
Frame	Aluminum & Stainless Steel 316 Cover	
Finishing	Non-Color	
Lighting control (option)	Dali, 0-10V, Triac, Wireless, DMX512	

### Accessories

-

### Notes

-

