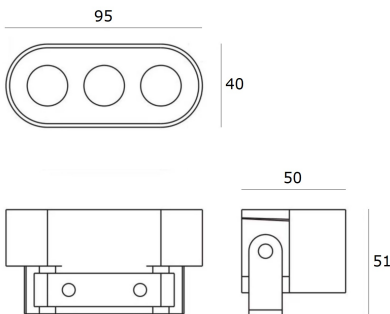


### RZ0665SMS [No.]

Surface Mounted Linear Light With Die-casting Aluminum, Transparent Toughened Glass Cover Led 4.5W 360lm CRI80 50.000h IP65



### Description

LED linear luminaire for wall washer and LED video display application.  
 Housing: Die-casting Aluminum, Anti-Corrosion, surface with anodizing treatment and optimised for reduced accumulation of dirt, with a high level of weather resistance. Mounting brackets for positioning as required: corrosion-resistant aluminium. 135° tilt. Luminaire head with transparent toughened non-reflective glass, resist the impact and friction, has excellent rainwater clean ability.  
 Control gear: 2 cable entries. Through-wiring possible. [2-5] 3-pole terminal block.  
 LED module: High-power LEDs on metal-core PCB. Lens made of optical Polymethyl. Tender and soft light to perfectly present the object without black spot and dark area. Constant current driver, RGBW gray level can reach to 65 degree equally, make the dynamic light-dimmer more soft, and the color richer.  
 DMX512 and Dimming driver can be optionally sold separately, Powerful interface adopts high reliable bus connect, all has the function of automatic addressing.  
 Protection mode IP65: dust-proof and water jet-proof.



### Technical data

Light source	LED COB
System Wattage	4.5W
Luminous flux	360lm
Number of led lamp	3 Led
Luminous efficiency	80lm/w or option
Colour Temperature	2700K, 3000K, 4000K, 6000K, [RGBW]
Colour Rendering Index	CRI>80, [CRI>90]
Colour Deviation	SDCM<3
Beam Angle	6°, 15°, 20°, 30°, 45°, 60°, 120°, 15x35°, 15x45°
Rotation Angle	135° tilt
Anti-glare Rating	-
Service Lifetime	50.000 Hrs L80 B20 Ta25
Ingress Protection	IP65
Operation Voltage	24VDC   220-240VAC 50/60Hz
Operation Temperature	-30°C ~ 50°C
Frame	Aluminum
Finishing	Grey, Sliver, Black or Option
Lighting control (option)	Dali, 0-10V, Triac, Wireless, DMX512

### Accessories

### Notes