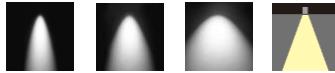


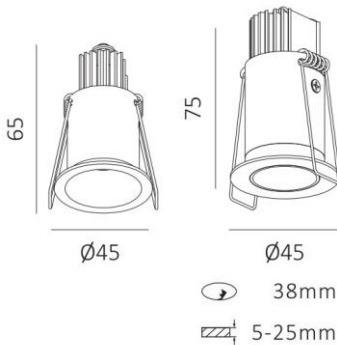
RZ0538MD

Mini Deep Fixed Downlight Led 5W 425lm CRI90 D45 IP54



spot 15°			medium 24°		
h(m)	E(lx)	ø(m)	h(m)	E(lx)	ø(m)
1	1972	ø0.27	1	1985	ø0.35
2	492.9	ø0.54	2	496.3	ø0.70
3	219.1	ø0.82	3	220.6	ø1.06
4	123.2	ø1.09	4	124.1	ø1.41
5	78.87	ø1.36	5	79.41	ø1.77

wide 40°		
h(m)	E(lx)	ø(m)
1	835.0	ø0.63
2	208.7	ø1.27
3	92.77	ø1.91
4	52.19	ø2.55
5	33.40	ø3.19



Description

Housing: cast aluminium, mini series downlights are a range of compact and functional designed spot lights, with connection cable.

Mounting ring: white. Expanding spring fixing for ceiling thicknesses of 5-25mm. Includes control gear with Led driver separate. 2-pole terminal block.

LED module: High-power LEDs on metal-core PCB. Collimating lens made of optical Polymethyl. Dimming driver can be optionally sold separately: Dali, 0-10V, Triac, Wireless.

Anti-glare cone with covered mounting detail: polymer, white or Black. Optical cut-off 30°.

The luminaire is protected on the room side against splashing water. Protection Class III.



Technical data

Light source	LED COB
System Wattage	5W - 120mA CC
Luminous flux	425lm
Luminous efficiency	90lm/w
Colour Temperature	2700K, 3000K, 4000K
Colour Rendering Index	CRI90
Colour Deviation	SDCM<3
Beam Angle	15°, 24°, 40°
Cut-Off Angle	40°
Tilt Angle	-
Anti-glare Rating	UGR<16
Service Lifetime	50.000 Hrs L70 B20 Ta25
Ingress Protection	IP54
Operation Voltage	220-240VAC, 50Hz
Operation Temperature	-20°C ~ 45°C
Frame	Aluminum
Finishing	Matt White, Matt Black
Lighting control (option)	Dali, 0-10V, Triac, Wireless

Accessories

-

Notes

More options:

