

RZ03RDB

Reading Light With Wall Surface Mounted Led 3W 150lm CRI90 3000K 30° D100*H30*L250 50.000h IP20



Description

Designed can be wall/headboard surface mounted for the Reading Lamp. With the modularized system, it's easy to use and easy to maintain.

Cylinder: Aluminium profile, powder-coated.

Housing: Aluminium, with connection cable. Includes control gear with Led driver. 3-pole terminal block.

LED module: High-power LEDs on metal-core PCB. Collimating lens made of optical Polymethyl. Tender and soft light to perfectly present the object without black spot and dark area.

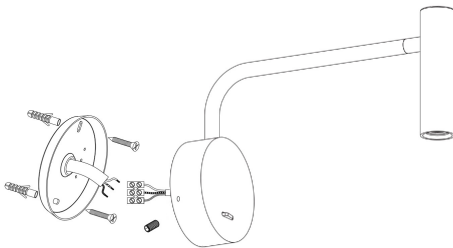
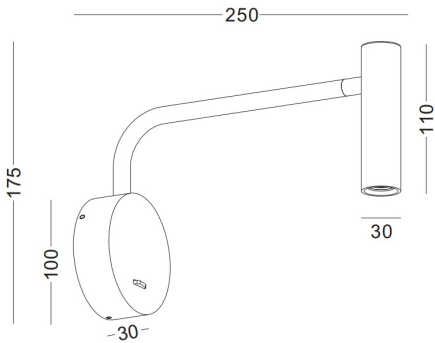
Finish options: Matt White, Matt Black, Chrome, Satin Nickel, Brushed brass, Black bronze, Customized.

Protection Class I.



Technical data

Light source	LED COB
System Wattage	3W
Luminous flux	150lm
Luminous efficiency	50lm/w or option
Colour Temperature	2700K, 3000K, 4000K
Colour Rendering Index	CRI>90
Colour Deviation	SDCM<3
Beam Angle	15°, 30°
Rotation	90°
Tilt Angle	180°
Anti-glare Rating	UGR<19
Service Lifetime	50.000 Hrs L70 B20 Ta25
Ingress Protection	IP20
Operation Voltage	220-240VAC, 50Hz
Operation Temperature	-20°C ~ 45°C
Frame	Aluminum
Finishing	Matt White, Matt Black, Customized
Installation	Surface mounted
Switch	BJB Switch on plate
Lighting control (option)	Dali, 0-10V, Triac, Wireless



Accessories

-

Notes

-