

RZ0365WR

Wall Recessed Light Led 3W 220lm CRI90 3000K Triac Dimmable D83x83mm 50.000h IP65 With PVC Recessed box



.Type A



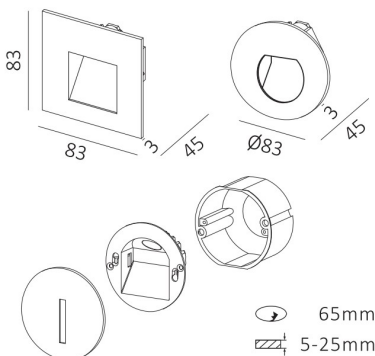
.Type B



.Type C



.Type D



Description

Housing: Die-casting Aluminum, Pre-treated before powder coating ensuring high corrosion resistance, No-Rinse surface treatment. Optimised surface for reduced accumulation of dirt, with a high level of weather resistance. Durable silicone rubber gasket.

Recessed housing: PVC. Clamp extension: spring kit.

Control gear: 2 cable entries. Through-wiring possible. 3-pole terminal block.

LED module: High-power LEDs on metal-core PCB. Collimating lens made of optical Polymethyl. Tender and soft light to perfectly present the object without black spot and dark area.

Triac dimmable driver, built-in driver for AC-input.

Dimming driver can be optionally sold separately [option AC in-put]: Dali, 0-10V, Wireless.

Protection mode IP65: dust-proof and water jet-proof.



Technical data

Light source	LED COB
System Wattage	3W
Luminous flux	220lm
Number of led lamp	1 Led
Luminous efficiency	75lm/w or option
Colour Temperature	2700K, 3000K, 4000K, 6000K
Colour Rendering Index	CRI>80, [CRI>90]
Colour Deviation	SDCM<3
Beam Angle	Diffused
Rotation Angle	-
Anti-glare Rating	-
Service Lifetime	50.000 Hrs L80 B20 Ta35
Ingress Protection	IP65
Operation Voltage	220-240VAC, 50Hz 24VDC
Operation Temperature	-30°C ~ 50°C
Frame	Aluminum
Finishing	Matt White, Matt Black or Option
Lighting control (option)	Dali, 0-10V, Triac, Wireless

Accessories

Wall recessed box

Notes

-