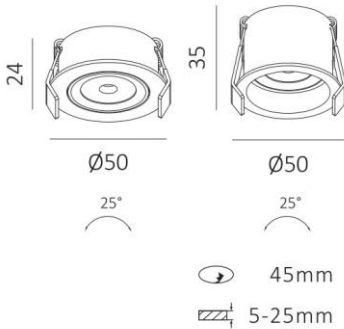


RZ0345MA

Mini Adjustable Under Cabinet Light Led 3W 220lm CRI90 D50 IP44



medium 24°			wide 36°		
h(m)	E(lx)	ø(m)	h(m)	E(lx)	ø(m)
1	402.4	ø0.44	1	276.0	ø0.60
2	100.6	ø0.88	2	69.00	ø1.22
3	44.71	ø1.31	3	30.67	ø1.83
4	25.15	ø1.75	4	17.25	ø2.43
5	16.09	ø2.19	5	11.04	ø3.04



More options:



Description

Housing: cast aluminium, with the combination of surface and recessed mounting design, with connection cable. 0°-25° tilt.

Mounting ring: white. Expanding spring fixing for ceiling thicknesses of 5-25mm. Includes control gear with Led driver separate. 2-pole terminal block.

LED module: High-power LEDs on metal-core PCB. Collimating lens made of optical Polymethyl. Dimming driver can be optionally sold separately: Dali, 0-10V, Triac, Wireless.

Protection Class III.



Technical data

Light source	LED COB
System Wattage	3W - 700mA CC
Luminous flux	220lm
Luminous efficiency	80lm/w
Colour Temperature	2700K, 3000K, 4000K
Colour Rendering Index	CRI90
Colour Deviation	SDCM<3
Beam Angle	12°, 24°, 36°
Cut-Off Angle	-
Tilt Angle	25°
Anti-glare Rating	-
Service Lifetime	50.000 Hrs L70 B20 Ta25
Ingress Protection	IP44
Operation Voltage	220-240VAC, 50Hz
Operation Temperature	-20°C ~ 45°C
Frame	Aluminum
Finishing	Matt White, Matt Black
Lighting control (option)	Dali, 0-10V, Triac, Wireless

Accessories

-

Notes